

Chemical Seal Gauge With PVC Bolted Seal

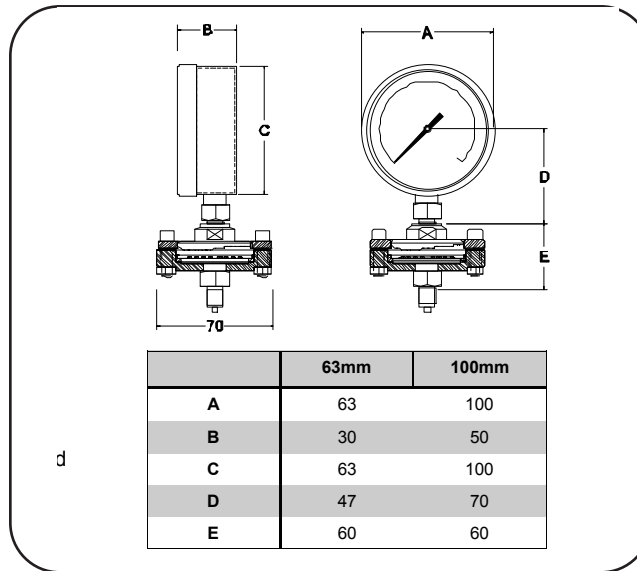


Model 14B-PVC

Application:
Where the medium used is aggressive towards stainless steel.

Nominal Dial Sizes:
50mm, 63mm, 100mm & 160mm

Accuracy:
1.6% 100mm & 160mm
2.5% 50mm & 63mm



Specifications

Case & Bezel:

*304 St. St with Bayonet locking bezel
 Weatherproof construction*

Connection & Element:

*PVC body with 316 st st PFA coated
 PTFE gasket*

Movement:

Stainless Steel

Dial:

White Aluminium with black markings

Pointer:

Black Oxidised Aluminium

Window:

Perspex or glass

Optional Extras

- Liquid filled head
- Customer logo
- Female threads
- Electrical contacts
- Remote type with capillary flush panel or surface mounting

Base:

Acetal, Nylon, Polypropylene