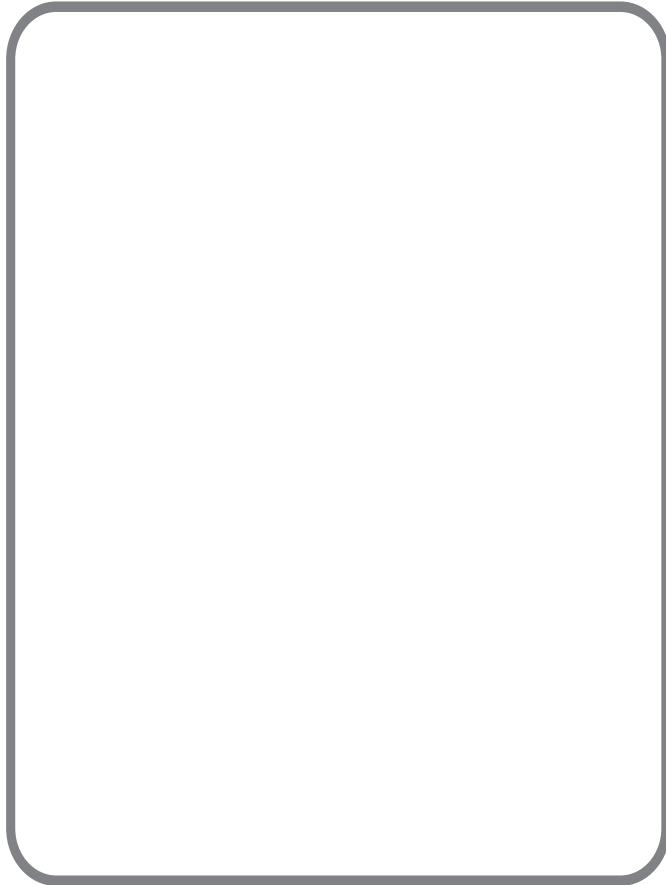


# Glycerine Filled Pressure Gauge

All Stainless Steel version Model 17



**Application:** These gauges are built to resist the most stringent operating conditions created by the environment and the medium under pressure. Construction is stainless steel case with non-ferrous wetted parts, and may be further enhanced by the use of diaphragm seals, electric contacts.

**When used in the measurement of gas or vapour the gauges must be used in accordance with the safety regulations stated in EN837-2.**

**Nominal Dial Size:-** 40, 50, 63, 80, 100, 160, 200 & 250mm.

**Accuracy:-** 40 & 50mm EN837 class 2.5%  
63 & 80mm EN837 class 1.6%  
100, 160, 200 & 250mm EN837 class 1.0%

**Ranges:-** 40 & 50mm - -1 to 250bar & psi  
-1 to 1000 bar & psi or to customer requirements

**Specification**

**Connection:** Brass

**Bourdon tube:** Phosphor bronze

**Movement:**

Brass—bottom or back

**Dial:** White aluminium, with black markings.

**Pointer:** balanced, aluminium

**Case:** AISI 304 St.St.

**Gasket:** polychloroprene or natural white rubber.

**Window:** Glass, optional shatterproof glass.

**Bezel ring:** AISI 304 polished St.St.

**Protection:** IP 65

**Connection Size:** 63mm - standard brass 1/4" bsp or optional 1/4" npt  
100mm - standard brass 3/8" bsp or optional 1/2" bsp or 1/2" npt

**Special Dial ranges different from standard, or custom artwork, available on request.**

**Options:**

3 hole back flange for bottom connection  
surface mounting

3 hole front flange or bracket for back  
connection panel mounting

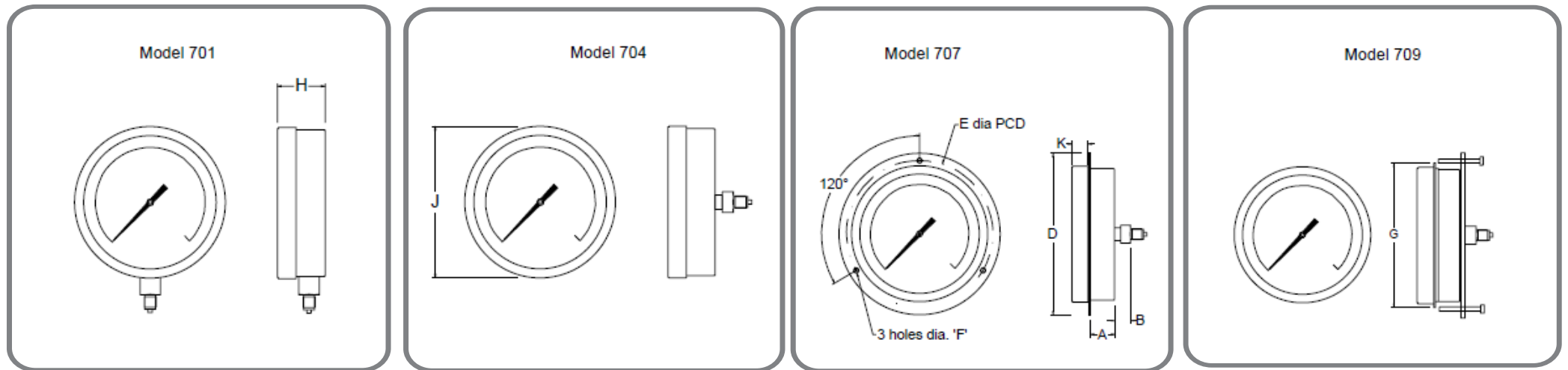
Restrictor screw in thread.

63mm rubber protective cover

## Datasheet 7

# Glycerine Filled Pressure Gauge

40, 50, 63 & 80mm gauges Model 701, 704, 707 & 709



Nominal Diameter	A	B	D	E	F	G	H	J	K	Panel Cutout
40										
50										
63										
80										

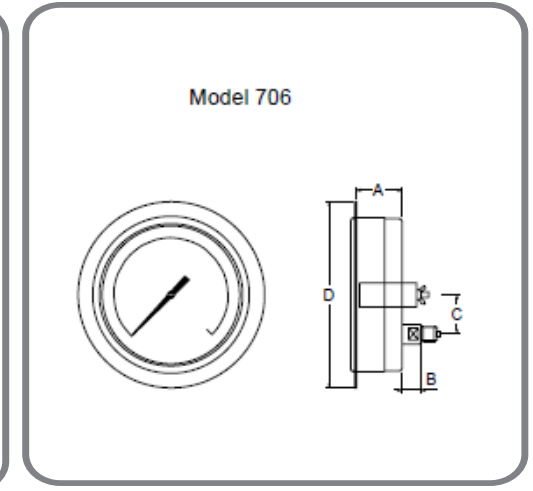
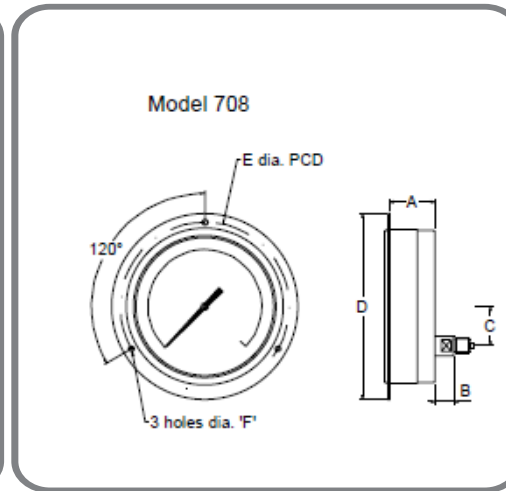
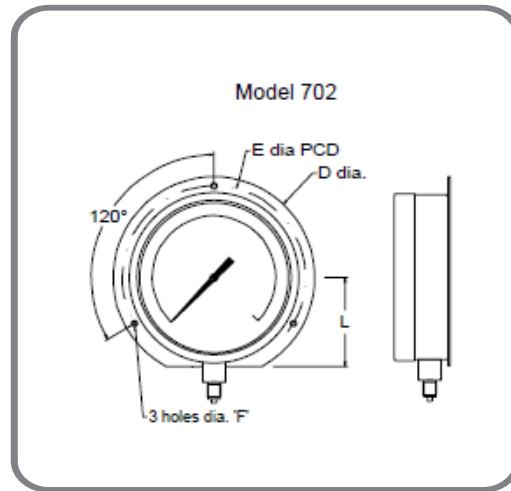
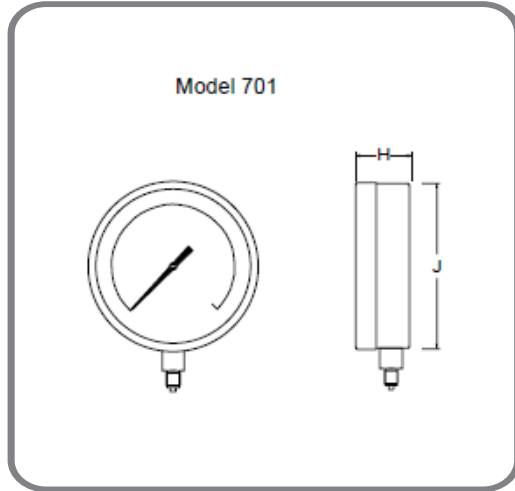
Tel 01446 729200 | Fax 01446 739281 | [www.tjwilliams.co.uk](http://www.tjwilliams.co.uk)

Wimborne Rd, Barry, Vale of Glamorgan, CF63 3DH

## Datasheet 7

# Glycerine Filled Pressure Gauge

100, 160, 200, & 250mm gauges Model 701, 702, 706 & 708



Nominal Diameter	A	B	D	E	F	H	J	Panel Cutout
100								
160								
250								

Tel 01446 729200 | Fax 01446 739281 | [www.tjwilliams.co.uk](http://www.tjwilliams.co.uk)

Wimborne Rd, Barry, Vale of Glamorgan, CF63 3DH